

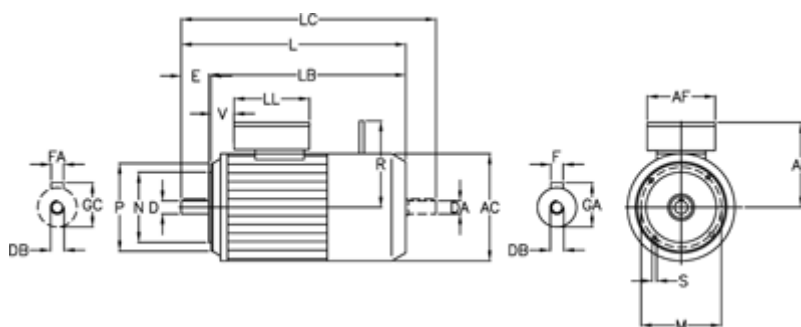
Data Sheet



Article number: 2501241540675

Description: Bonfiglioli brake motor BE63A-4-FD1.75 0.12KW
1400 rpm 3x230/400v 50HZ IE2 DC brake IP55 1.75 B14 stainless steel

Measures



A/F = 98	EA = 23	LL = 133
AC = 121	F = 4	M = 75
AD = 119	FA = 4	N = 60
D = 11	GA = 12.5	P = 90
DA = 11	GC = 12.5	R = 96
DB = M4	L = 272	S = M5
DB1 = M4	LB = 249	T = 2.5
E = 23	LC = 297	V = 14